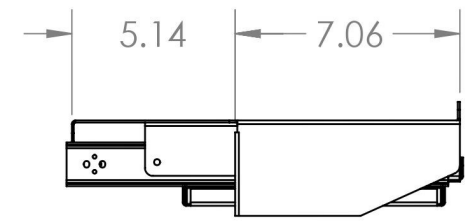
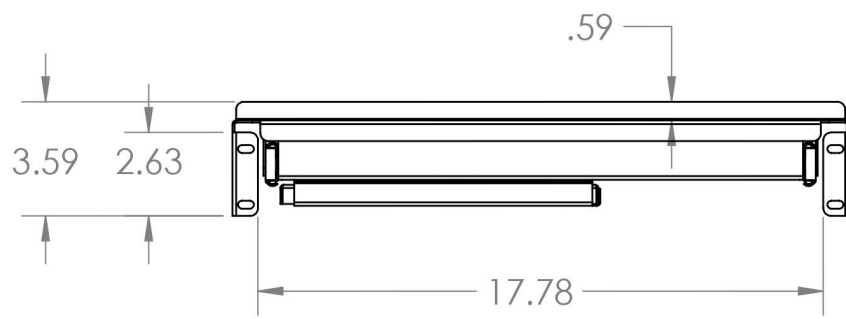
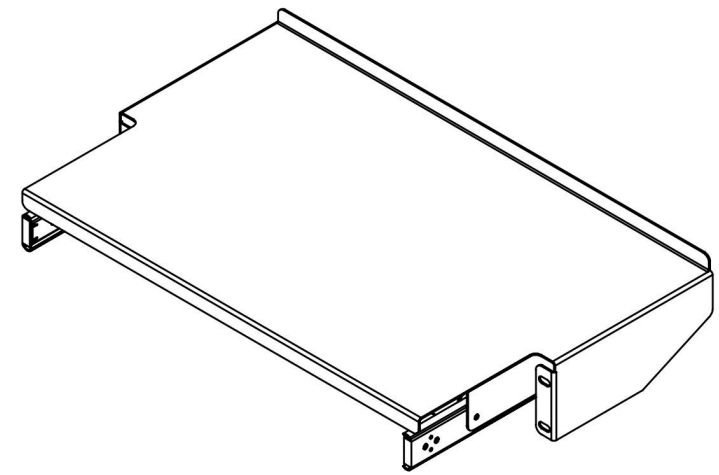
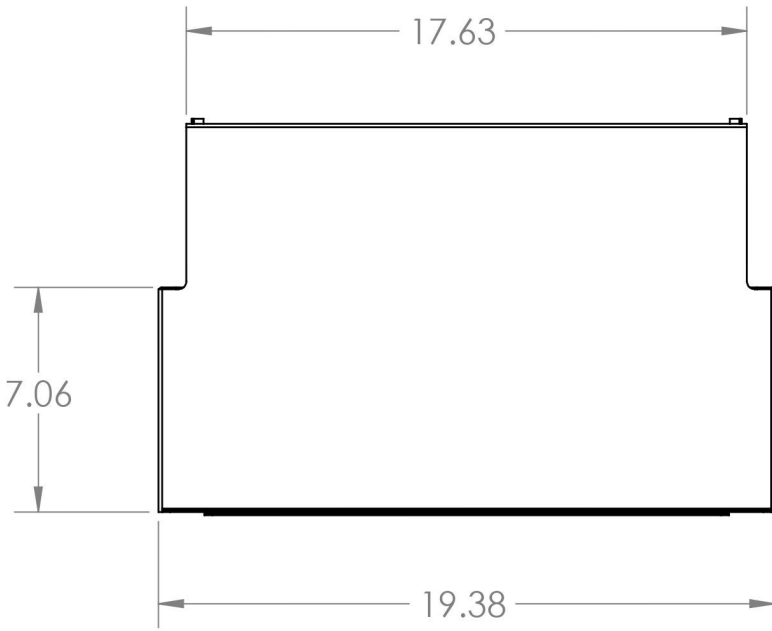


2

1

B

B



A

A

**Gruber**  
Communication Products

TITLE:  
Keyboard Shelf  
Centerweight w/ Mousepad  
2U

SIZE PART. NO.  
**A** 34-105035

MATERIAL  
Carbon Steel

FINISH  
Satin Black

DO NOT SCALE DRAWING



**WARNING**  
Cancer and Reproductive Harm  
[www.P65Warnings.ca.gov](http://www.P65Warnings.ca.gov)

2

1