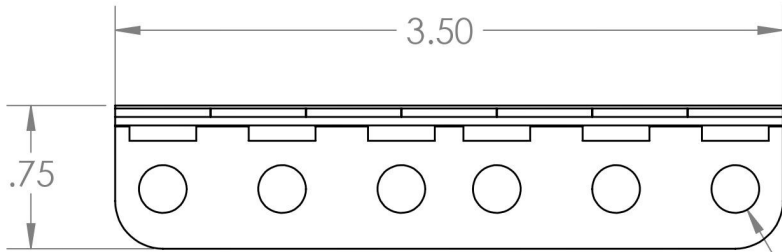


2

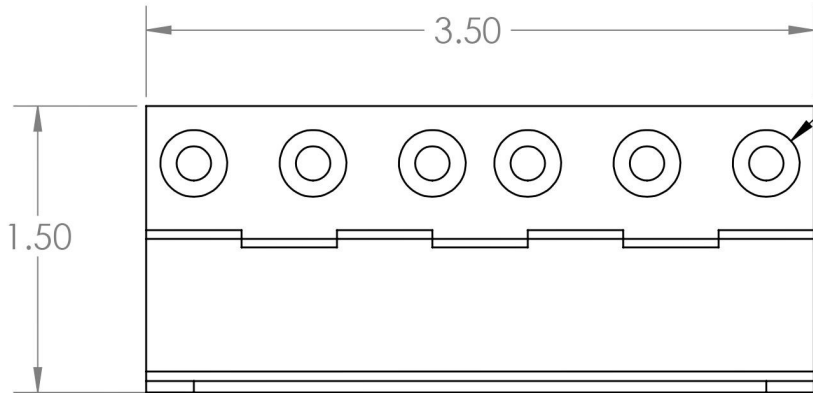
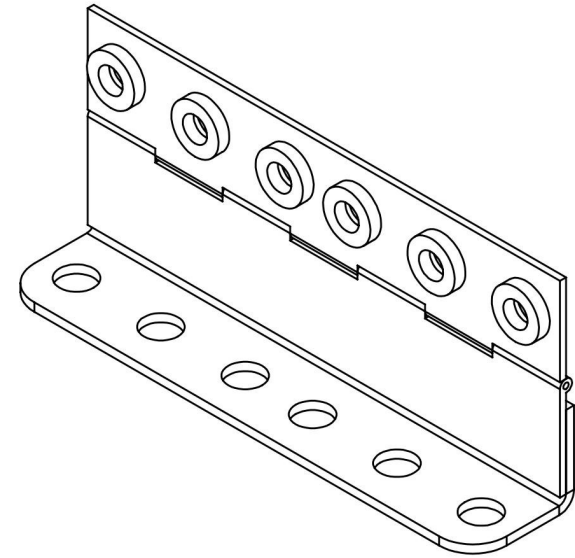
1

B

B

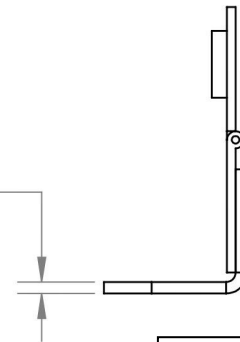


6X  $\phi$  .25



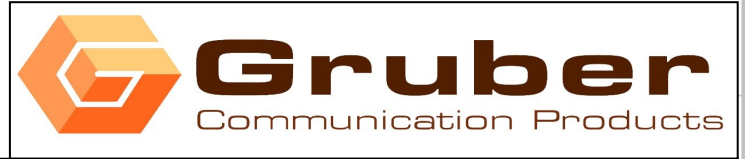
6X 10-32 PEMNUTs

.060



A

A



Material Carbon Steel	Title Hinged Extender Bracket 2U	
Finish Satin Black	Size <b>A</b>	Part No. <b>34-199952</b>
DO NOT SCALE DRAWING		



2

1