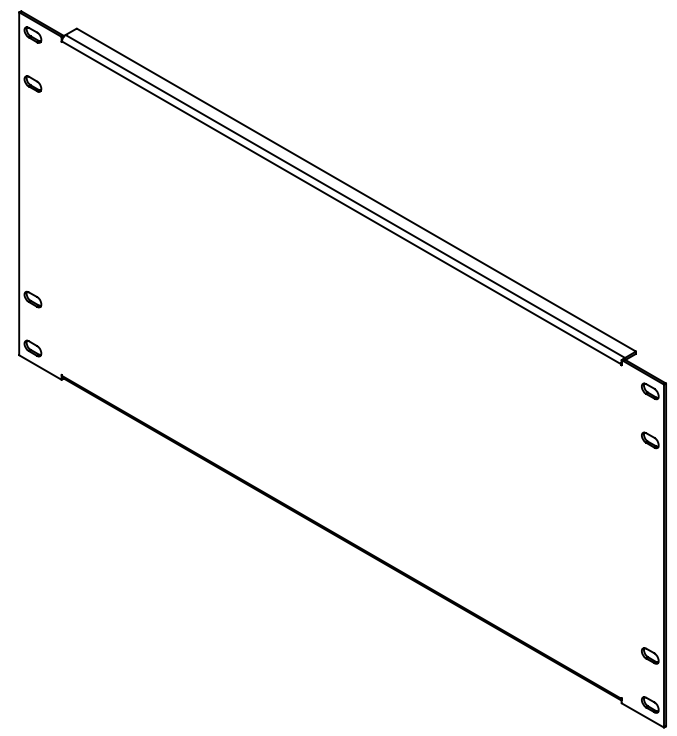
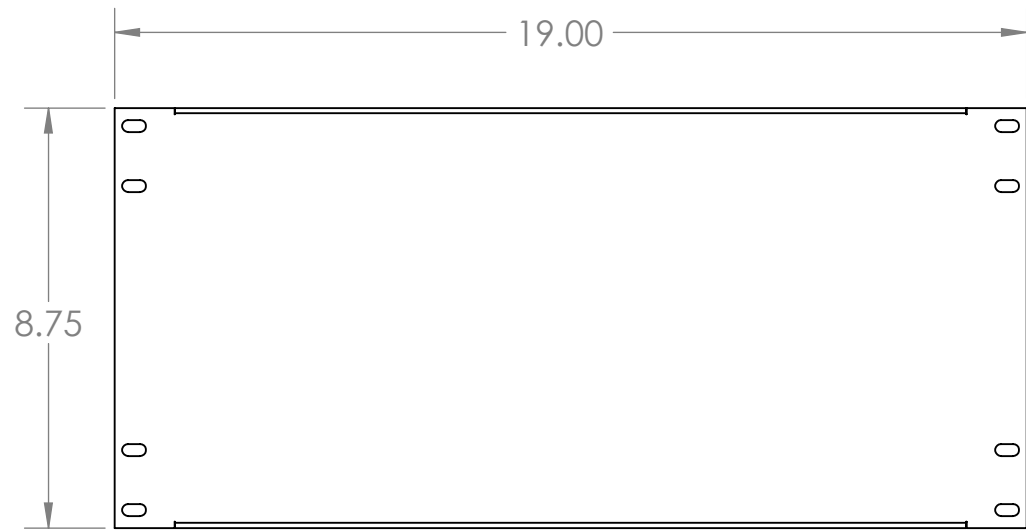


2

1

B

B



A

A

2

1



WARNING
 Cancer and Reproductive Harm
www.P65Warnings.ca.gov

MATERIAL	Carbon Steel
FINISH	Satin Black
DO NOT SCALE DRAWING	



TITLE:		Blank Filler Panel 5U	
SIZE	PART. NO.	34-205500	
A			