

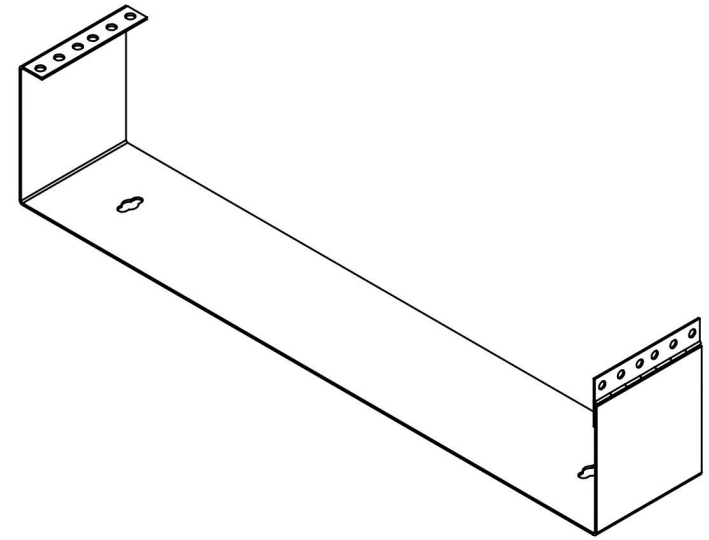
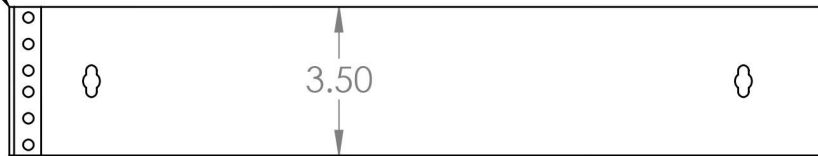
2

1

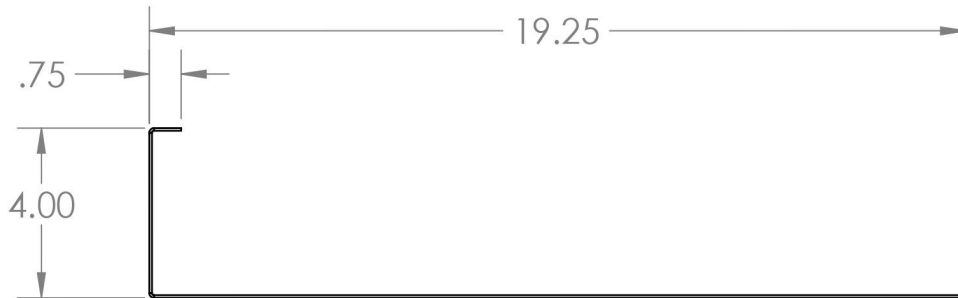
B

B

FIXED  
90 DEGREES



HINGED



A

A



|                          |   |                               |
|--------------------------|---|-------------------------------|
| Material<br>Carbon Steel | Title<br>Wall Mount Bracket Hinged<br>Tinnerman- 2U |                               |
| Finish<br>Satin Black    | Size<br><b>A</b>                                    | Part No.<br><b>34-WB2U-04</b> |
| DO NOT SCALE DRAWING     |   |                               |



2

1